



FILMFABRIEK HDS+

TECHNICAL SPECIFICATIONS

January 2019



FILMFABRIEK

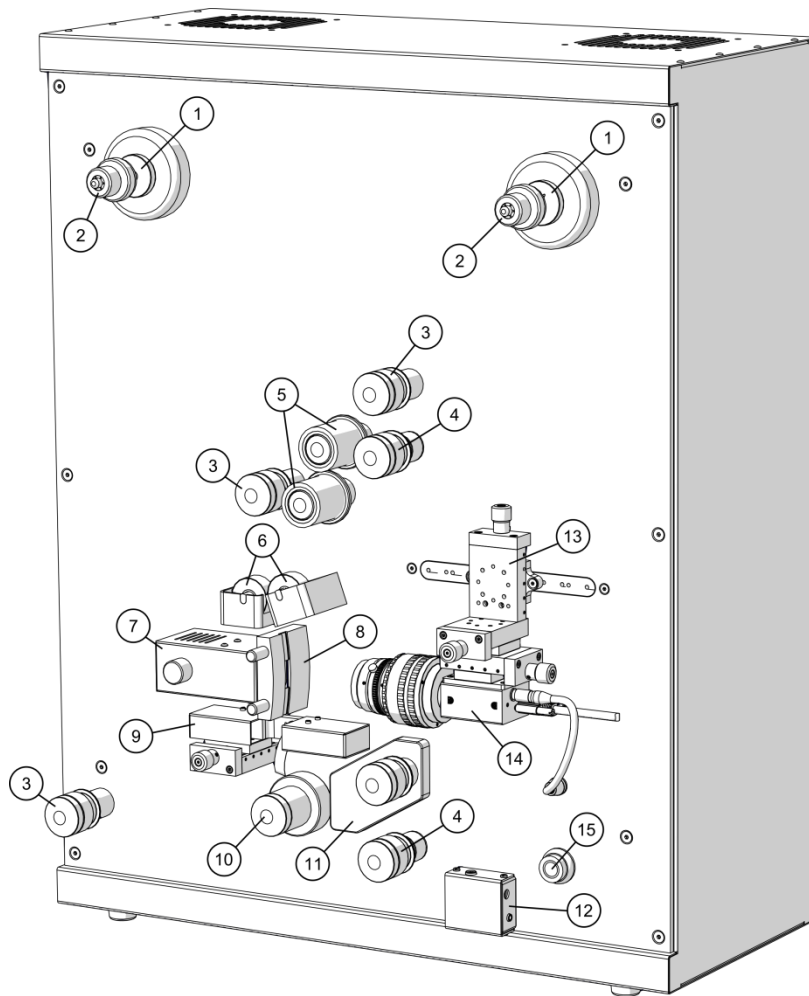
TECHNICAL SPECIFICATIONS

Filmfabriek HDS+ Film scanner

Feature	
WETGATE	90-95% (vertical) scratch removal
Supported film formats	Wetgate included on all supported formats
FILM FORMATS RESOLUTION	
Film format options	16mm S16 8mm s8 9.5 Pathé
Additional Formats (on request)	17.5mm 3mm
Resolution 16mm	4K Cinema+ (4096x3000)
Resolution 8mm	4K Cinema+ (4096x3000)
Resolution Pathé 9.5mm	4K Cinema+ (4096x3000)
FILM TRANSPORT	
Transport type	Sprocketless capstan drive
Film tension	Adjustable
Film shrinkage	>10% shrinkage
Maximum scanning speed	50fps (8mm) 35fps (16mm)
GATE OPTICS LIGHT SOURCE	
SteadyGate	Edge to edge capture possible on all film formats
Optical zoom	Included, full zoom range (frame only, frame + sprocket, edge-to-edge scan)
Capture region	Aspect ratio adjustable on all formats (HD up to 4K cinema+)
Full Dynamic Range (FDR)	minimal noise and banding increased detail in shadow areas
SOUND READER	
Magnetic 16mm	Optional
Optical 16mm	Optional
Magnetic (s)8mm	Optional
FILE OUTPUT	
Tif	12 bit 4:4:4 RAW
DPX	10bit log
Avi	8bit RAW



CONFIGURATION OF HDS 2018 FILMFABRIEK FILM SCANNER



- | 1. Film reel axle | 2. Lock nut | 3. Film guide roller | 4. Film tension sensor
| 5. Particle Transfer Roller | 6. Wetgate roller | 7. LED Light source | 8. Film gate
| 9. Sprocket hole detector | 10. Capstan roller | 11. Mounting location for sound
heads | 12. Sound head amplifier | 13. Camera position adjustment tables | 14.
Camera and lens assembly | 15. Power button

CONTACT INFORMATION

www.filmfabriek.nl
info@filmfabriek.nl

Address:
Ambachtsweg 2
4854MK Bavel
The Netherlands
+31 85 27 37 253

Address USA:
Bic Pic Media
8037 Gabriels Bend Dr.
Raleigh, NC, 27612
+1 661 993 3985
info@bigpicmedia.net